

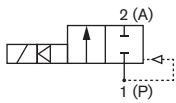
## 2/2-way Solenoid Valve for neutral media, Ex version

- General purpose range with servo-diaphragm
- Anti-waterhammer, low noise
- Push-over solenoid system
- Seal material NBR

The servo-assisted solenoid valve Type 5281 Ex with servo-diaphragm can be used in accordance with its protection type for the shutting off, dosing and filling of gaseous and liquid media in environments where there is a danger of explosion.

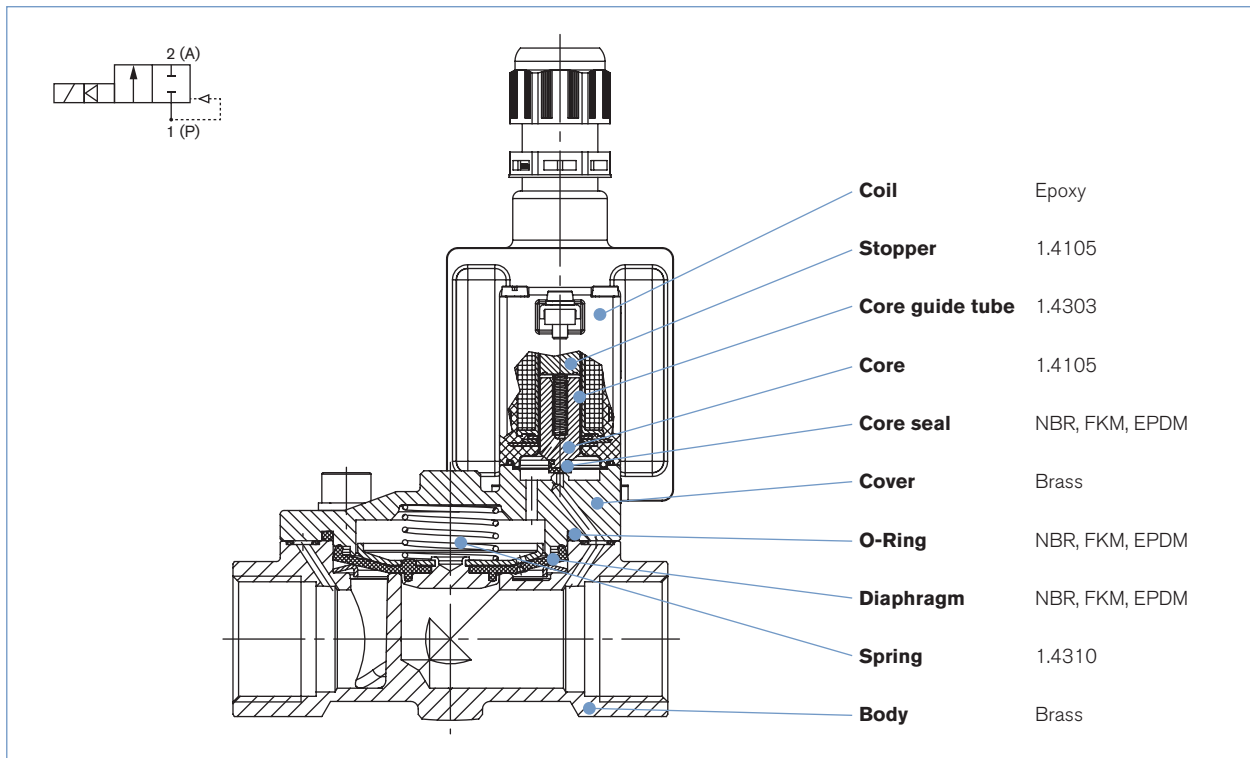
### Circuit function A

2/2-way valve NC,  
normally closed



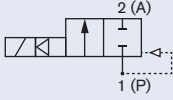
Technical data	
<b>Orifice</b>	DN13-65 mm
<b>Body material</b>	Brass
<b>Valve internal material</b>	Stainless steel, brass
<b>Seal material</b>	NBR (EPDM and FKM on request)
<b>Media with NBR</b>	Neutral media, compressed air, water
<b>Media temperature with NBR</b>	-10 °C to +60 °C
<b>Ambient temperature</b>	-10 °C to +60 °C
<b>Voltage</b>	024/UC 230/UC others on request
<b>Voltage tolerance</b>	±10%
<b>Power consumption</b>	7 W (operating temperature)
<b>Duty cycle</b>	100% continuous rating
<b>Electrical connection</b>	Screwed terminal box, with cable outlet upright
<b>Protection class</b>	IP 65
<b>Type of protection</b>	II 2G Ex e mb IIC T4 Gb, PTB 02 ATEX 2094 X Ex mb e II T4, IECEx PTB 09.0064 X
<b>Installation</b>	As required, preferably with actuator in upright position

## Circuit function A



## Ordering chart for valves (other versions on request)

### Brass body with threaded ports and NBR seal

Circuit function	Port connection	Orifice [mm]	Kv value water [m <sup>3</sup> /h]	Pressure range [bar]	Per Item no. Voltage/Frequency [V/Hz] with terminal box	
					024/UC	230/UC
<b>A</b> 2/2-way, normally closed (NC)  	G 3/8	13	4,0	0,2 - 16	265 403	on request
	G 1/2	13	4,0	0,2 - 16	265 386	265 387
	G 3/4	20	5,0	0,2 - 8	265 930	265 399
	G 1	25	10,0	0,2 - 8	265 397	265 398
	G 1 1/4	32	20,0	0,2 - 8	on request	on request
	G 1 1/2	40	20,0	0,2 - 8	on request	on request
	G 2	50	40,0	0,2 - 8	on request	on request
	G 2 1/2	65	40,0	0,2 - 8	on request	on request

### Further versions on request

**Material**  
Seal material: EPDM, FKM

**Electrical connection**  
Cable

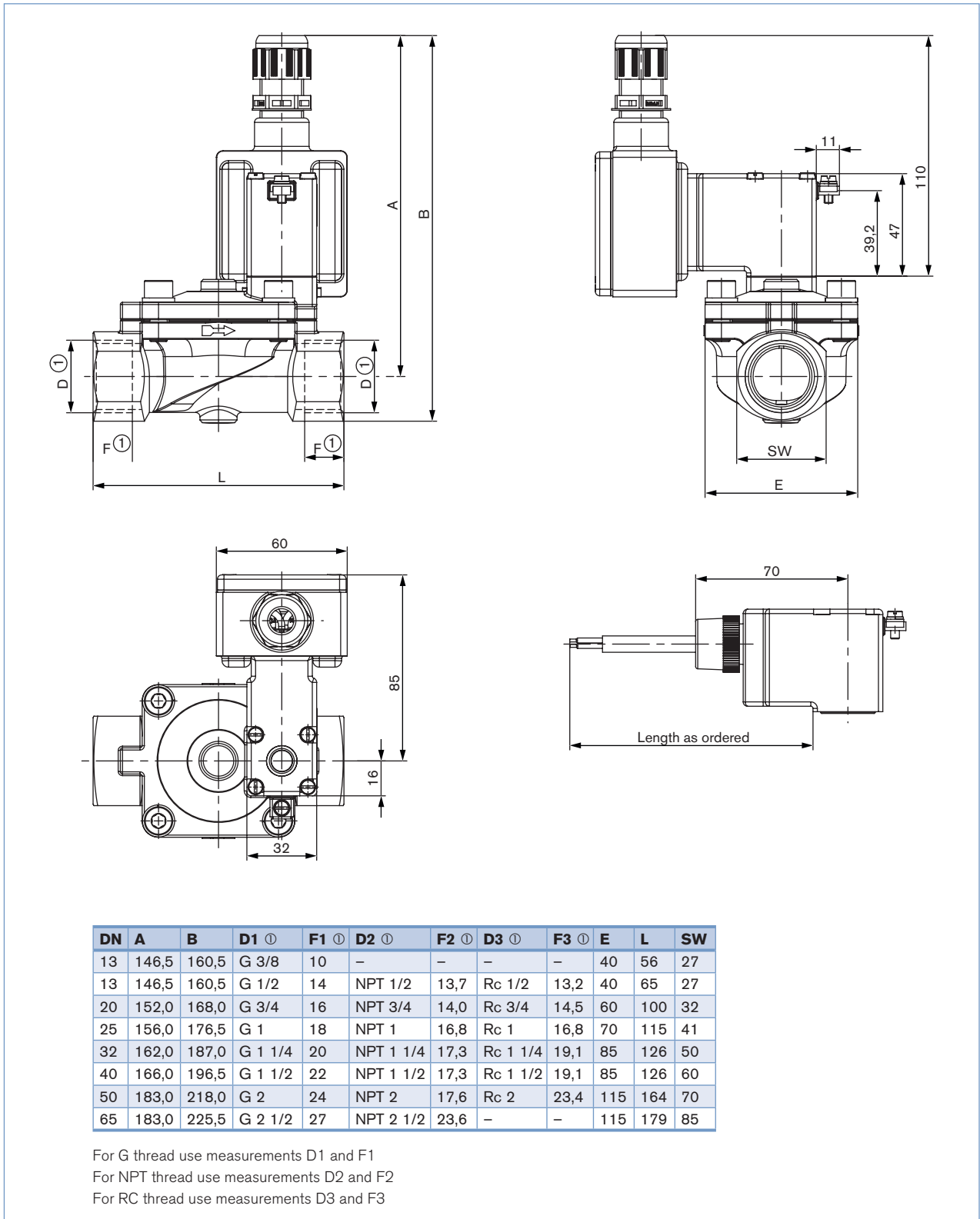
**Port connection**  
Flange

## Ordering chart accessories

### Middle delay fuse for Types with 0641 coil 7 Watt

Voltage [V]	Nominal current [mA]	Item no.
24	800	153 737
110	160	153 720
230	80	153 745

## Dimensions [mm]



To find your nearest Bürkert facility, click on the orange box →

[www.burkert.com](http://www.burkert.com)